

Covering pool canvas - the ROLLER system

Measurements:

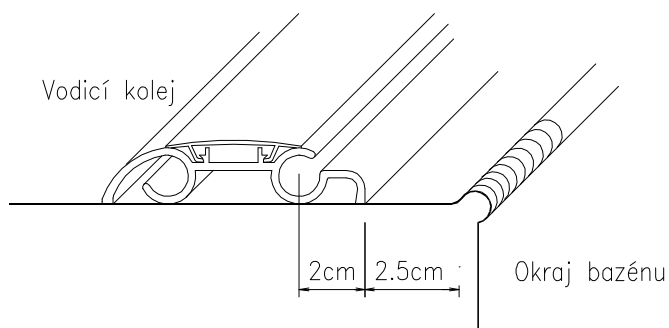
The maximum outer LENGTH and WIDTH of the pool is measured.

The base under the guiding rails must be horizontal, without barriers. The rails must not have a transversal gradient. If the edge of the pool is lined with profiled tiles or other elements on which the guiding rails cannot be installed horizontally, the measured width must be increased accordingly as the rail must be moved further away from the pool.

You should realize that the covering canvas will be wider and longer than the pool. In addition, the winding equipment, which is positioned at the more convenient side of the pool is at least 40 cm wider than the canvas.

Calculation of the canvas size:

Example - a pool without profiled edges (decorative tiling) 3.5 x 6 m.



LENGTH = 6 m + 1 m (the one meter plus is required for the winding equipment at one side and the pulling rod at the other side)

WIDTH = 3.5 m + 9 cm (the minimum distance of the guiding rail from the pool edge is 2.5 cm; the groove in the strip for the thick edge of the canvas is 2 cm from the inner edge of the strip; you should add $2 \times (2.5 + 2) = 9$ cm) altogether.

For the 3.5 x 6 m pool the minimum size of the canvas is 3.59 x 7 m.

If the pool has decorative lining of edges, its width must be added to the pool width.